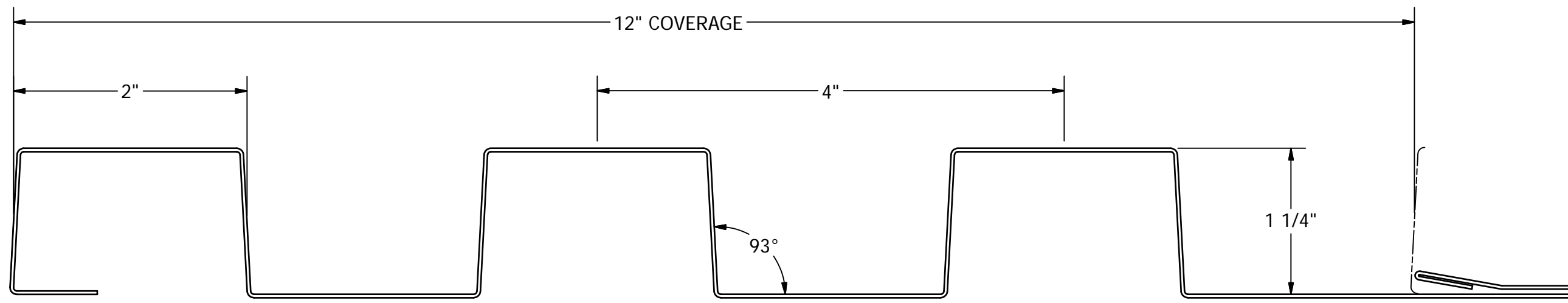
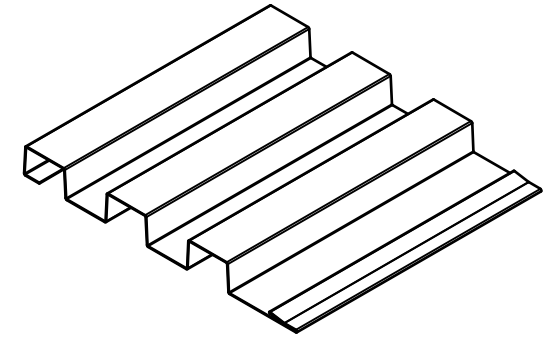

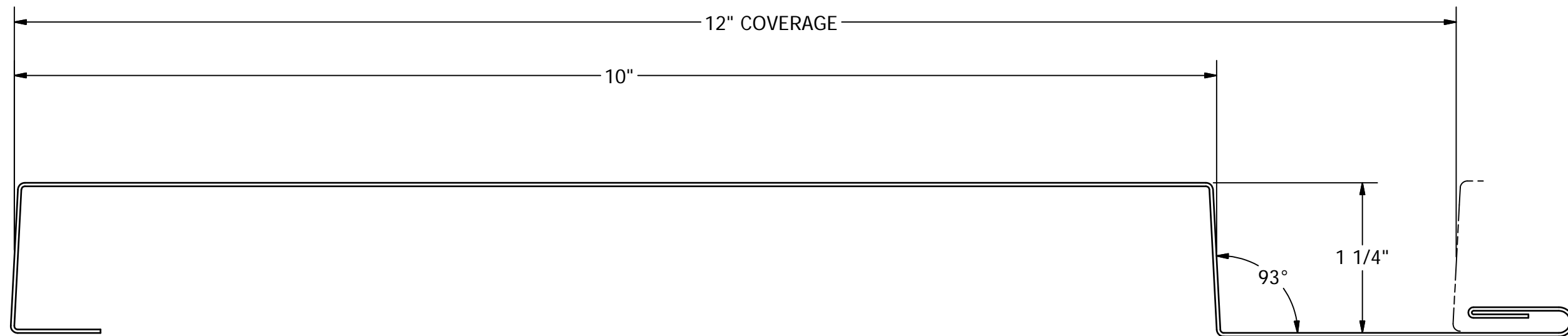
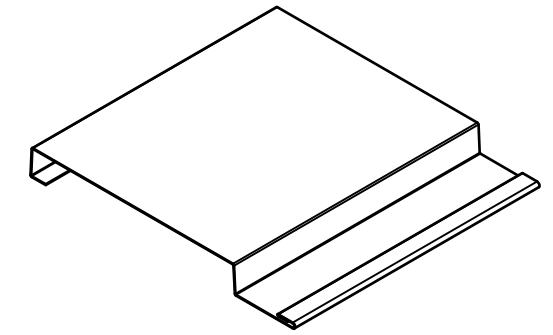
	SCALE	---		
	DRAWN			
2110 Enterprise Blvd. West Sacramento, CA 95691-3428 USA	DATE	5/19/2016		
	CHECKED			
		TITLE / PART NAME		
		FLEX SERIES 1.2FX10-12c (CLIP ATTACHED)		
		PROJECT / PRODUCT LINE		
		SALES PRINT		
		PART I.D.	REVISION	SHEET
		1.2FX10-12c	-	1 OF 1


Copyright: The design and print is the property of ASC Profiles and must not be used, reproduced or copied, wholly or in part, without written permission from the company. Supply of this design and print represents a confidential communication between the company and recipient.



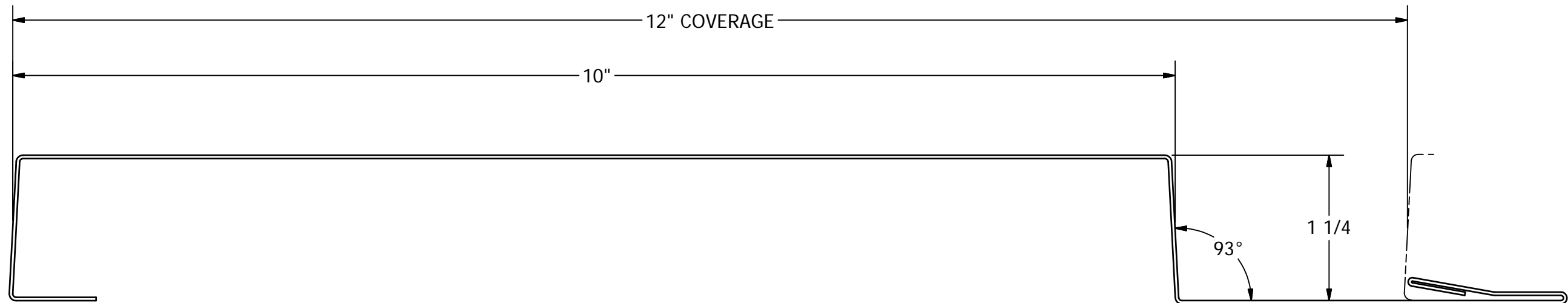
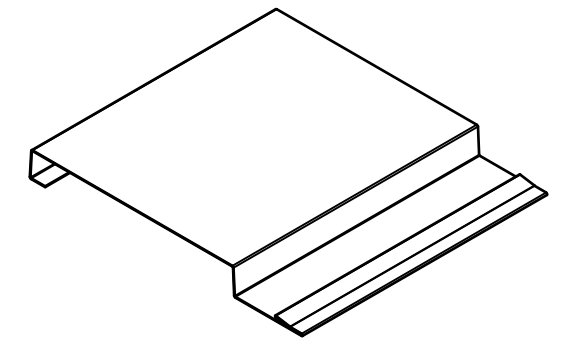
	SCALE	---		
	DRAWN			
2110 Enterprise Blvd. West Sacramento, CA 95691-3428 USA	DATE	5/19/2016		
	CHECKED			
		TITLE / PART NAME		
		FLEX SERIES 1.2FX10-12d (DIRECT FASTENED)		
		PROJECT / PRODUCT LINE		
		SALES PRINT		
		PART I.D.	REVISION	SHEET
		1.2FX10-12d	-	1 OF 1


Copyright: The design and print is the property of ASC Profiles and must not be used, reproduced or copied, wholly or in part, without written permission from the company. Supply of this design and print represents a confidential communication between the company and recipient.



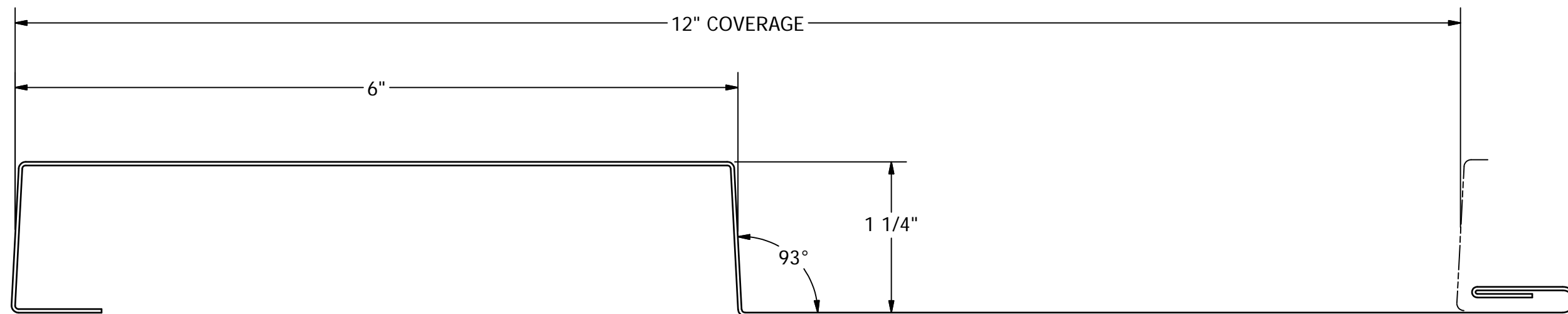
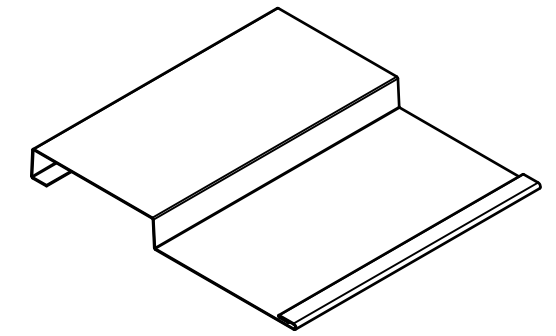
	SCALE	---		
	DRAWN			
	DATE	5/19/2016		
2110 Enterprise Blvd. West Sacramento, CA 95691-3428 USA	CHECKED			
	DATE			
TITLE / PART NAME		FLEX SERIES 1.2FX20-12c (CLIP ATTACHED)		
PROJECT / PRODUCT LINE		SALES PRINT		
PART I.D.	REVISION	SHEET		
1.2FX20-12c	-	1 OF 1		


Copyright: The design and print is the property of ASC Profiles and must not be used, reproduced or copied, wholly or in part, without written permission from the company. Supply of this design and print represents a confidential communication between the company and recipient.



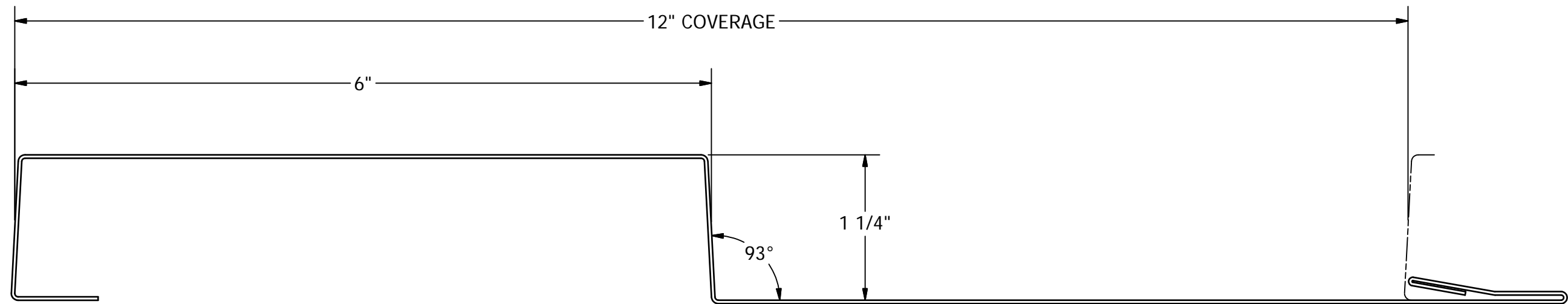
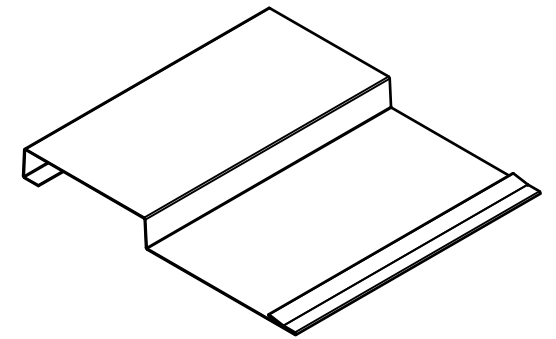
	SCALE	---		
	DRAWN			
2110 Enterprise Blvd. West Sacramento, CA 95691-3428 USA	DATE	5/19/2016		
	CHECKED			
		TITLE / PART NAME	FLEX SERIES 1.2FX20-12d (DIRECT FASTENED)	
		PROJECT / PRODUCT LINE	SALES PRINT	
		PART I.D.	1.2FX20-12d	REVISION SHEET
			-	1 OF 1


Copyright: The design and print is the property of ASC Profiles and must not be used, reproduced or copied, wholly or in part, without written permission from the company. Supply of this design and print represents a confidential communication between the company and recipient.



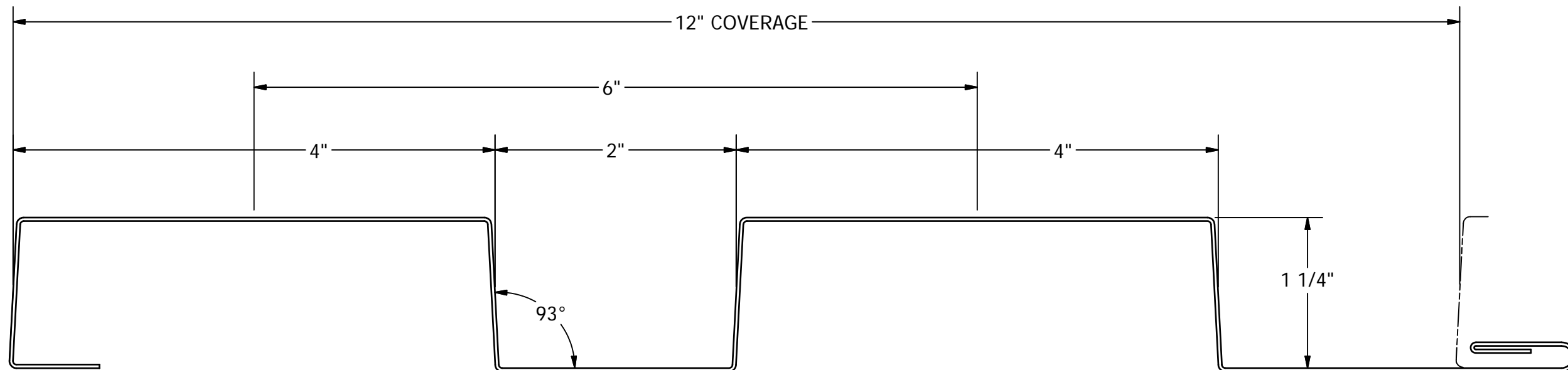
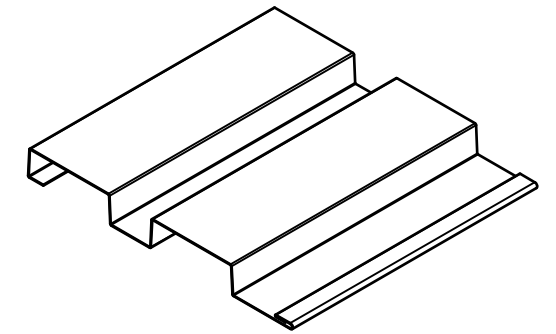
	SCALE	---		
	DRAWN			
2110 Enterprise Blvd. West Sacramento, CA 95691-3428 USA	DATE	5/19/2016		
	CHECKED			
TITLE / PART NAME FLEX SERIES 1.2FX30-12c (CLIP ATTACHED)		PROJECT / PRODUCT LINE SALES PRINT		
PART I.D. 1.2FX30-12c		REVISION -	SHEET 1 OF 1	


Copyright: The design and print is the property of ASC Profiles and must not be used, reproduced or copied, wholly or in part, without written permission from the company. Supply of this design and print represents a confidential communication between the company and recipient.



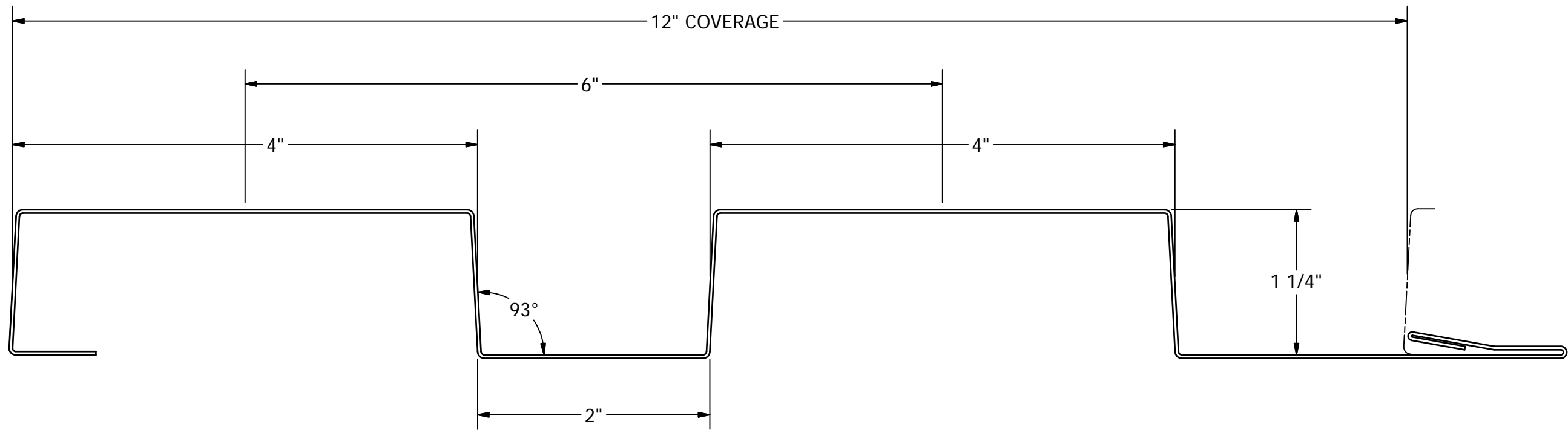
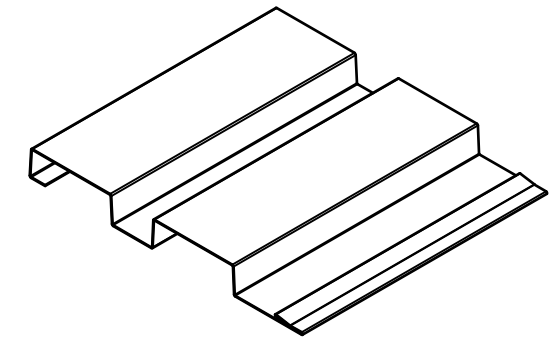
	SCALE	---		
	DRAWN			
2110 Enterprise Blvd. West Sacramento, CA 95691-3428 USA	DATE	5/19/2016		
	CHECKED			
		TITLE / PART NAME	FLEX SERIES 1.2FX30-12d (DIRECT FASTENED)	
		PROJECT / PRODUCT LINE	SALES PRINT	
		PART I.D.	REVISION	SHEET
		1.2FX30-12d	-	1 OF 1


Copyright: The design and print is the property of ASC Profiles and must not be used, reproduced or copied, wholly or in part, without written permission from the company. Supply of this design and print represents a confidential communication between the company and recipient.



	SCALE	---		
	DRAWN			
2110 Enterprise Blvd. West Sacramento, CA 95691-3428 USA	DATE	5/19/2016		
	CHECKED			
		TITLE / PART NAME		
		FLEX SERIES 1.2FX40-12c (CLIP ATTACHED)		
		PROJECT / PRODUCT LINE		
		SALES PRINT		
		PART I.D.	REVISION	SHEET
		1.2FX40-12c	-	1 OF 1

Copyright: The design and print is the property of ASC Profiles and must not be used, reproduced or copied, wholly or in part, without written permission from the company. Supply of this design and print represents a confidential communication between the company and recipient.



	SCALE	---		
	DRAWN			
2110 Enterprise Blvd. West Sacramento, CA 95691-3428 USA	DATE	5/19/2016		
	CHECKED			
		TITLE / PART NAME	FLEX SERIES 1.2FX40-12d (DIRECT FASTENED)	
		PROJECT / PRODUCT LINE	SALES PRINT	
		PART I.D.	1.2FX40-12d	REVISION SHEET
			-	1 OF 1

Copyright: The design and print is the property of ASC Profiles and must not be used, reproduced or copied, wholly or in part, without written permission from the company. Supply of this design and print represents a confidential communication between the company and recipient.